

SONY®

NTSC/PAL

Compact Players

J Series



J-10
J-10SDI
J-30
J-30SDI

INTRODUCTION

The Versatile All-round Players

Since their introduction in 2001, Sony J Series Compact Players (consisting of the J-1, J-2, and J-3 models), have been accepted by producers, journalists, and production staff around the world as ideal desktop 1/2" standard-definition compact players. Their sophisticated features, offered within an affordable price range, have opened new opportunities in material viewing, logging, and source feeding to servers or nonlinear editing systems.

Retaining the same design concept, affordability, and fundamental features, Sony has revitalized the J Series by enhancing its interfacing capabilities. The new J Series Compact Players - comprising four models, the J-10, J-10SDI, J-30, and J-30SDI - now come equipped with an i.LINK™ interface as standard, opening the door to the DV world for Betacam™ users.*

Despite their compactness and affordability, the new J Series will surely become one of the most powerful production assets today, and into the future.

* i.LINK is a trademark of Sony used only to designate that a product contains an IEEE1394 connection. The i.LINK connection may vary depending on the software applications, operating system, and compatible i.LINK devices. All products with an i.LINK connection may not communicate with each other. Please refer to the documentation that comes with any device having an i.LINK connection for information on compatibility, operating conditions, and proper connection.



FEATURES

Ultimate Desktop Versatility

Compact Body Design *fig 1*

Sharing the same chassis design of their predecessors, the new J Series Compact Players retain a compact and lightweight design. At just 307 x 100 x 397 mm (12 1/8 x 4 x 15 3/4 inches) in size and 8.1 kg (17 lb 14 oz) in weight, they are equivalent in size to a standard desktop PC.

They can be placed on the desks of busy producers, journalists, and editors either horizontally or upright in the supplied vertical stand - perfect for space-constrained or awkward environments. In addition, their new light-metallic coloring makes the J Series Compact Players even more suitable for the office environment.

Compatible with Small and Large Cassettes

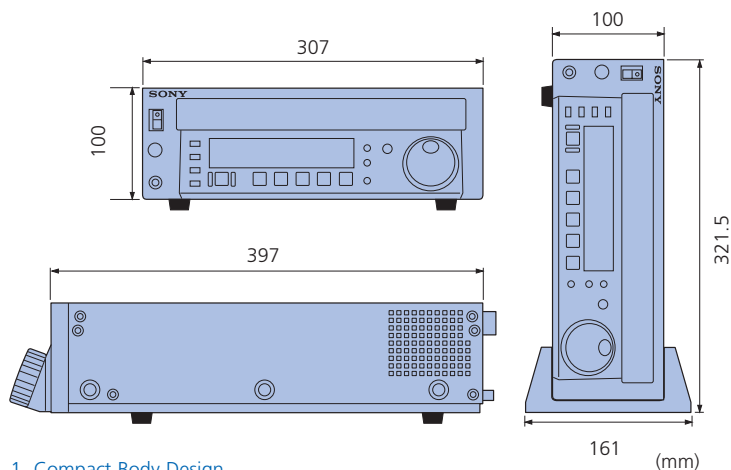
Despite their very compact size, the J Series Compact Players can play large-size as well as small-size cassettes.

525/625 Versatility

The J Series Compact Players can be easily switched between 525/60 and 625/50 playback modes, enabling operation in international environments.

Powerful Playback Capability *fig 2*

The J-10 and J-10 SDI models have the capability to play back Betacam SX™, Betacam SP™, and Betacam tape recordings. The J-30 and J-30 SDI models further add playback capability for MPEG IMX™ and Digital Betacam™ recordings. During cassette loading, each format is automatically identified for playback, so no menu settings or switching is necessary.



1 Compact Body Design



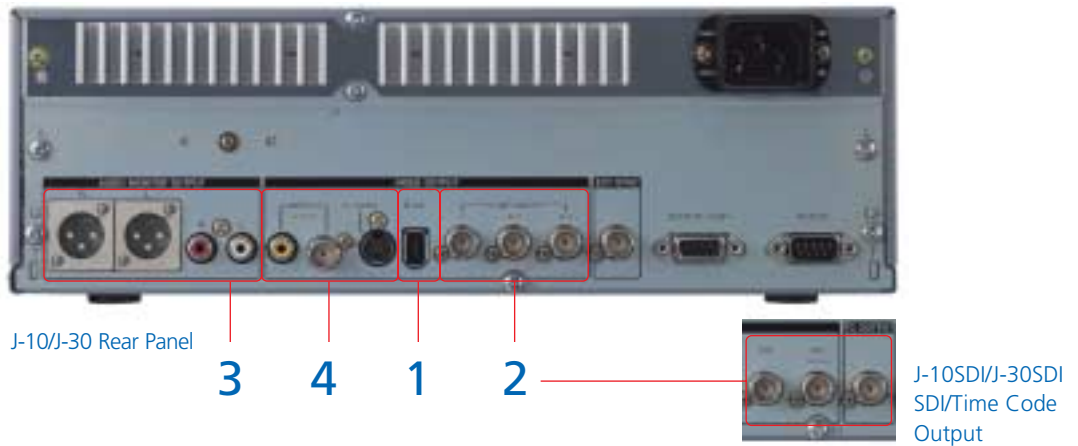
J-10/J-10SDI



J-30/J-30SDI



2 Powerful Playback Capability



Enhanced Interfacing Capability

1 i.LINK Interface - Opening the Door to the DV World

The new J Series Compact Players come equipped with an i.LINK interface as standard. This feature makes them very unique, since 1/2" SD Betacam series materials - including even 20-year-old archives - can be converted to a 25 Mbps DV signal (video, audio*, and time code are transferred) and sent to a compatible DV device via a single i.LINK interface cable.

*2-ch or 4-ch selectable.

2 Choice of Analog Component Output and SDI Output

J Series Compact Players offer the choice of either analog component output or SDI output depending on application requirements. While the J-10 and J-30 offer one set of analog component outputs (BNC x 3) as standard, the J-10 SDI and J-30 SDI offer two SDI outputs (BNC x 2) - including one with superimposition capability. Also, one time code output is provided on the J-10 SDI and J-30 SDI models.

3 Flexible Audio Outputs

Two channels of analog audio output are available either through the XLR connectors or RCA pin jacks located on the rear panel of the J Series Compact Players. A headphone jack is also provided on the front panel. The audio channels to be output to the analog outputs and headphone jack can be selected from Ch 1/2, Ch 3/4, and Cue track. Audio is automatically muted for off-speed playback and non-data playback.

4 Ideal for Presentations

The J Series Compact Players incorporate an infrared remote controller, which allows fundamental operations to be controlled wirelessly. This feature comes in handy for connection to conventional TV monitors, as well as data projectors with composite video or S-video input capability, making the J Series Compact Players a useful machine for presentations or demonstrations.

Operational Versatility

UMID and Essence Mark Readable

The UMID (Unique Material Identifier) is a type of metadata approved as an SMPTE standard (SMPTE-330M). The UMID consists of a globally unique number and a material number, used for the identification of recorded material. Essence Marks, available on a variety of Sony camcorders, are also useful metadata that can be manually or automatically marked during shooting for easy picture search in subsequent editing processes. The J-30 SDI can read UMID and Essence Marks on MPEG IMX and Digital Betacam tapes and output them through the SDI interface*.

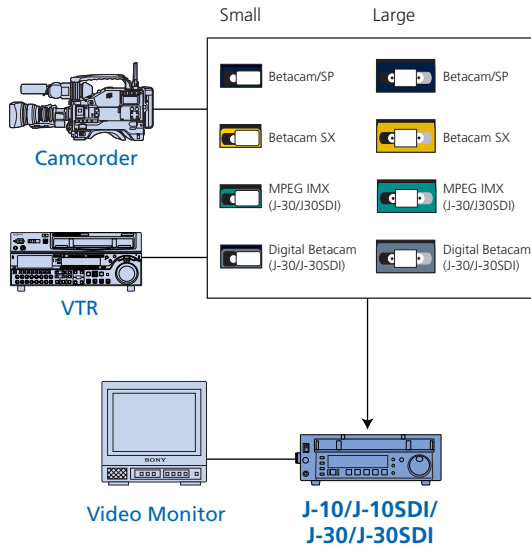
*Auto Event Detection is not supported.

Shot Mark Handling

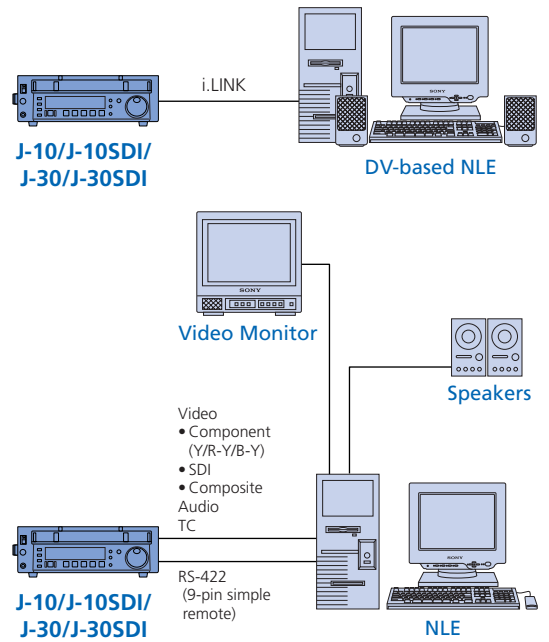
The J Series Compact Players can scan tapes with Shot Marks and automatically detect their position. After scanning, a list of all marks can be displayed on a video monitor, allowing easy cueing to any mark.

SYSTEM CONFIGURATION

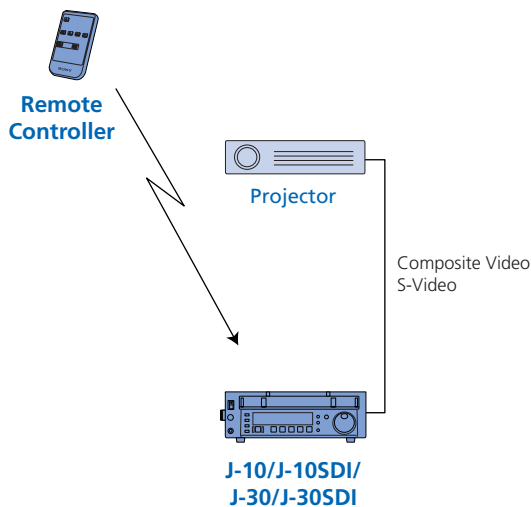
Viewing



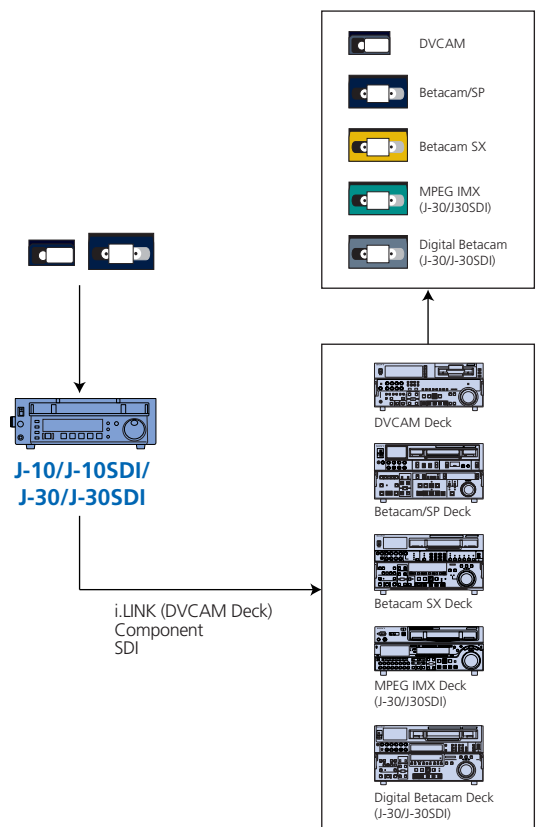
Source Feeding to NLE



Presentation (Wireless Remote Control)



Simple Dubbing



SPECIFICATIONS

	J-10	J-10SDI	J-30	J-30SDI
General				
Power requirements	AC 100 V to 240 V, 50/60 Hz			
Power consumption	55 W			
Operating temperature	+5 °C to +40 °C (+41 °F to + 104 °F)			
Storage temperature	-20 °C to +60 °C (-4 °F to + 140 °F)			
Humidity	25% to 80% (relative humidity)			
Mass	8.1 kg (17 lb 14 oz)	8.1 kg (17 lb 14 oz)	8.2 kg (18 lb 1 oz)	8.2 kg (18 lb 1 oz)
Dimensions (W x H x D)	307 x 100 x 397 mm (12 1/8 x 4 x 15 3/4 inches)			
Tape speed				
Digital Betacam	–	–	96.7 mm/s	96.7 mm/s
MPEG IMX	–	–	64.467 mm/s (525 mode), 53.776 mm/s (625 mode)	64.467 mm/s (525 mode), 53.776 mm/s (625 mode)
Betacam SX	59.515 mm (525 mode), 59.575 mm (625 mode)			
Betacam/Betacam SP	118.6 mm/s (525 mode), 101.5 mm/s (625 mode)			
Playback time				
Digital Betacam	–	–	Max. 124 min. with BCT-D124L	Max. 124 min. with BCT-D124L
MPEG IMX	–	–	Max. 184 min. (525 mode)/220 min. (625 mode) with BCT-184MXL	Max. 184 min. (525 mode)/220 min. (625 mode) with BCT-184MXL
Betacam SX	Max. 194 min. with BCT-194SXL			
Betacam/Betacam SP	Max. 90 min. (525 mode)/108 min. (625 mode) with BCT-90MLA			
Fast forward/rewind time				
Digital Betacam	–	–	Approx. 5 min. with BCT-D124L	Approx. 5 min. with BCT-D124L
MPEG IMX	–	–	Approx. 5 min. with BCT-184MXL	Approx. 5 min. with BCT-184MXL
Betacam SX	Approx. 5 min. with BCT-184SXL			
Betacam/Betacam SP	Approx. 5 min. with BCT-90MLA			
Search speed range				
Digital Betacam	–	–	±21 times normal playback speed	±21 times normal playback speed
MPEG IMX	–	–	±32 times normal playback speed	±32 times normal playback speed
Betacam SX	±35 times normal playback speed			
Betacam/Betacam SP	±18 times (525 mode), ±20 times (625 mode) normal playback speed			
Servo lock time	1.5 s or less (from standby on)			
Load/unload time	7 s or less			
Input signal				
Ext. sync	BNC (x 1), Frame lock			
Output signals				
Analog composite output	BNC (x 1), Pin Jack (x 1), 1.0 Vp-p, 75 Ω			
S-video output	Mini DIN 4-pin (x 1), Y: 1.0 Vp-p, C: 0.286 Vp-p burst, 75 Ω			
Analog component output	BNC (x 3), Y: 1.0 Vp-p, R-Y/B-Y: 0.7 Vp-p, 75 Ω	–	BNC (x 3), Y: 1.0 Vp-p, R-Y/B-Y: 0.7 Vp-p, 75 Ω	–
SDI output	–	BNC (x 2), SMPTE 259M, 270 Mb/s, 0.8 Vp-p, 75 Ω	–	BNC (x 2), SMPTE 259M, 270 Mb/s, 0.8 Vp-p, 75 Ω
i.LINK (DV) output	6-pin (x 1), IEEE 1394			
Time Code output	–	BNC (x 1), 1.0 Vp-p, 75 Ω, unbalanced	–	BNC (x 1), 1.0 Vp-p, 75 Ω, unbalanced
Monitor output L/R	Pin Jack (x 2): -10 dBu at 47 kΩ load, unbalanced, XLR (male x 2): +4 dBm, 600 Ω load, low impedance, balanced			
Headphone output	JM-60 Stereo Phone Jack, ∞ to -12 dBu at 8 Ω load, unbalanced			
Remote Control				
RS-422A	D-sub 9-pin (female) (x 1), Sony 9-pin remote interface			
RS-232C	D-sub 9-pin (male) (x 1)			
Wireless	SIRCS			
Supplied accessories				
	Operation manual (CD-ROM), Operation manual, vertical stand (x 2), Infra-red remote controller			

Distributed by

© 2004 Sony Corporation. All rights reserved.
 Reproduction in whole or in part without written permission is prohibited.
 Features and specifications are subject to change without notice.
 All non-metric weights and measurements are approximate.
 Sony, Betacam, Betacam SP, Betacam SX, Digital Betacam, MPEG IMX, and i.LINK
 are trademarks of Sony.

MK10116V1IW04MAR

Printed in Japan on recycled paper